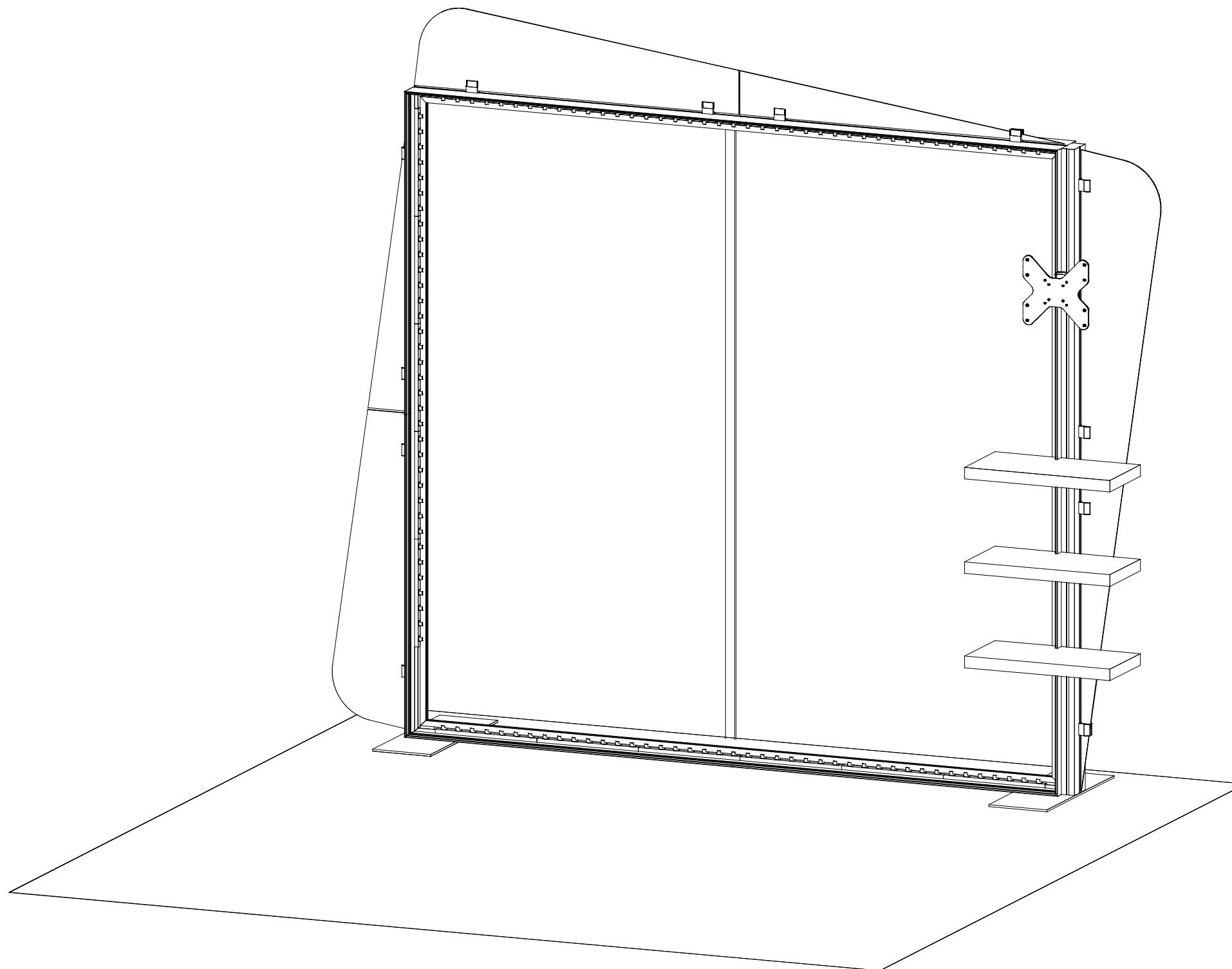
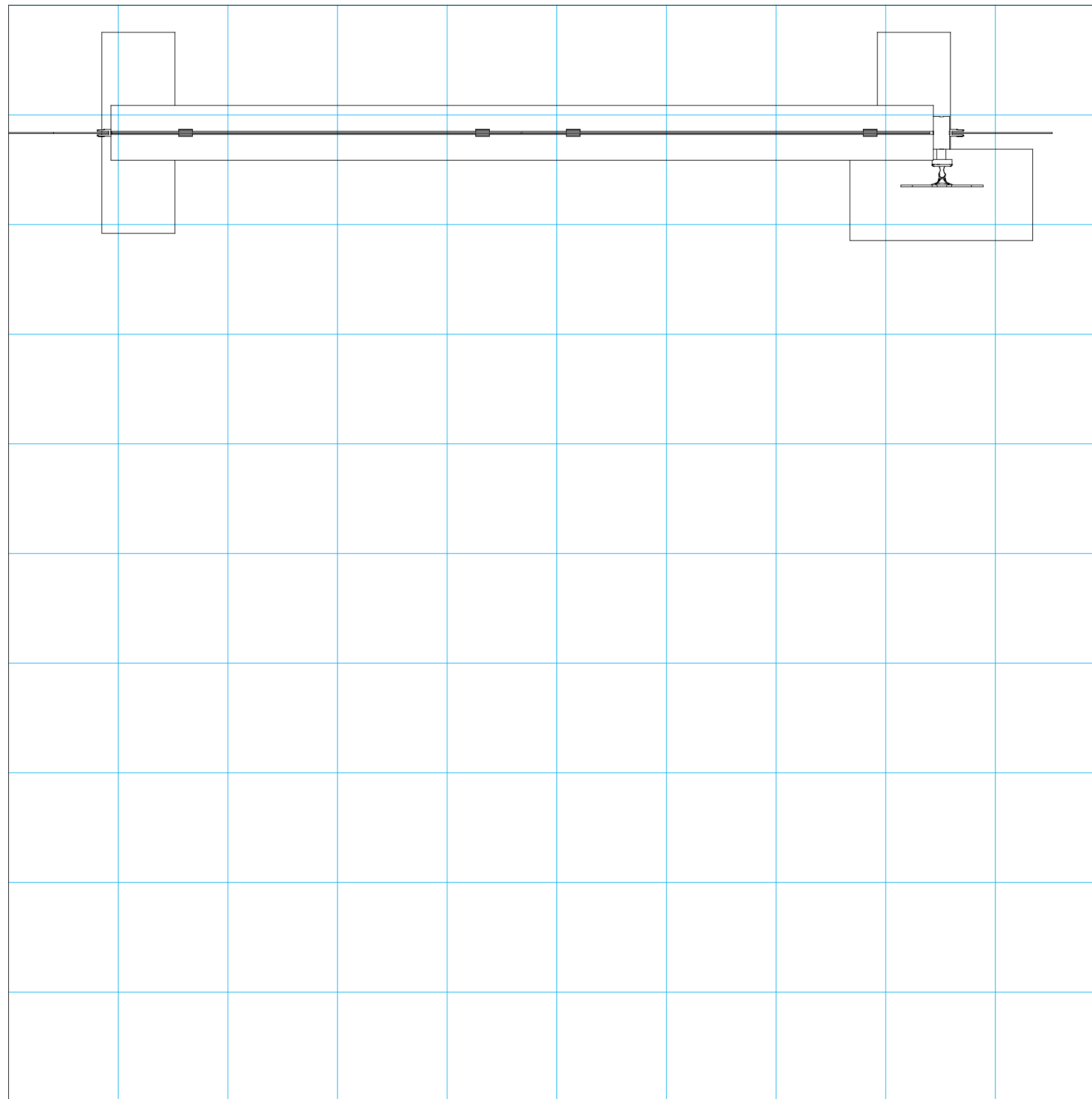


Plan View

10'

10'





= 1 sq foot

General Setup Instructions

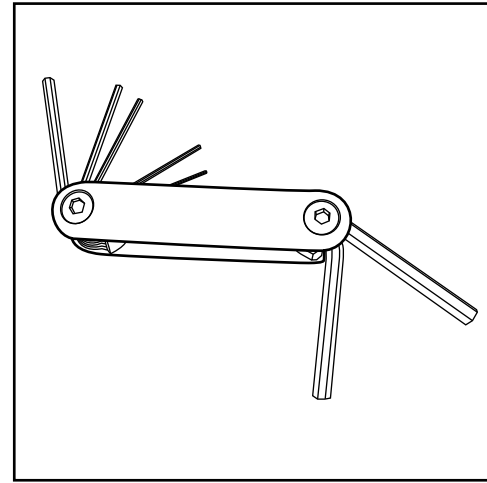
- Read entire setup instruction manual prior to unpacking parts and pieces.
- The setup instructions are created specifically for this configuration.
- Setup instructions are laid out sequentially in steps, including exploded views with detailed explanation for assembly.

Cleaning & Packing

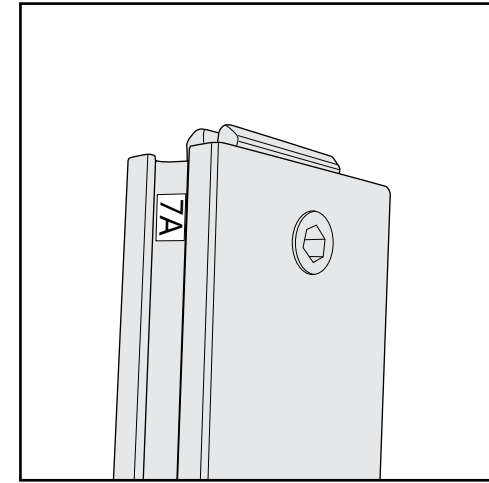
- For Cleaning Metal, Plex, & Laminate Parts: Use a **MILD NON-ABRASIVE** cleanser and soft cloth/paper towel to clean all surfaces.
- Keep exhibit components away from heat and prolonged sun exposure. **Heat and UV exposure will warp and fade components.**
- Retain all provided Packing Materials. All provided packing materials are for ease of repacking & component protection.

Disassembly

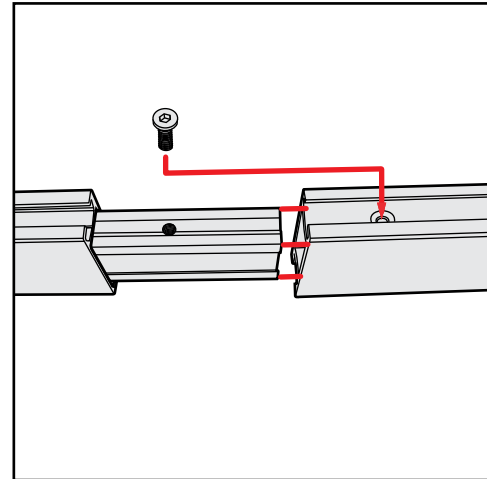
- For loss prevention, tighten all set screws and locks during disassembly.



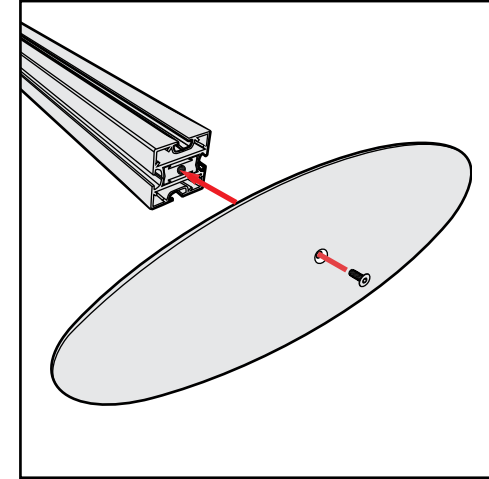
Hex Tool - Essential for Assembly



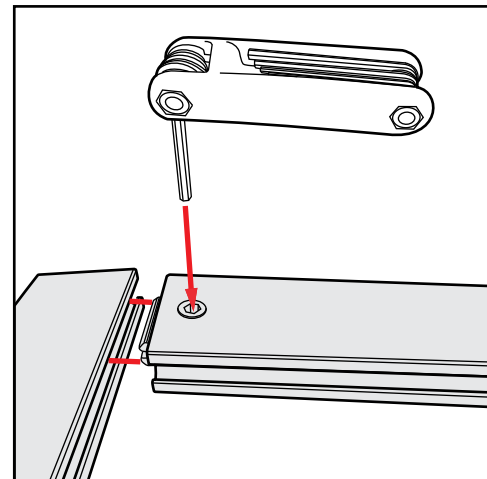
Part Identification - Numbering



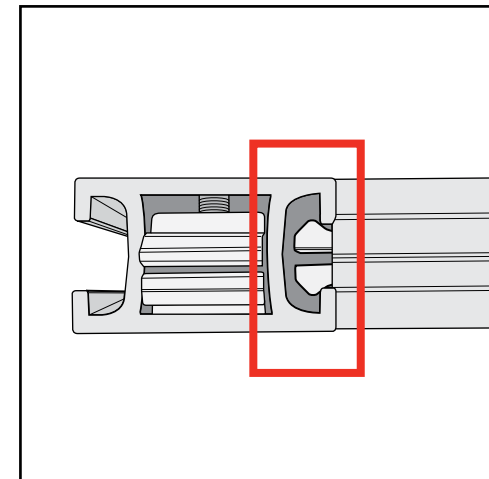
Spline Connection



Base Plate & Extrusion Connection



Extrusion & Lock Connection



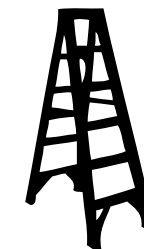
Engaged Lock



WARNING



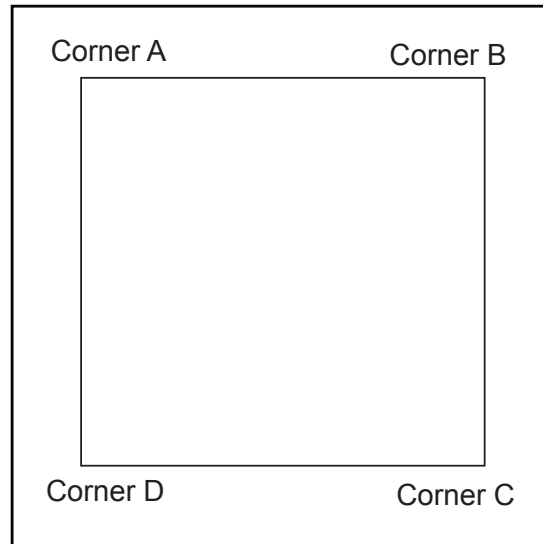
DO NOT USE POWER TOOLS



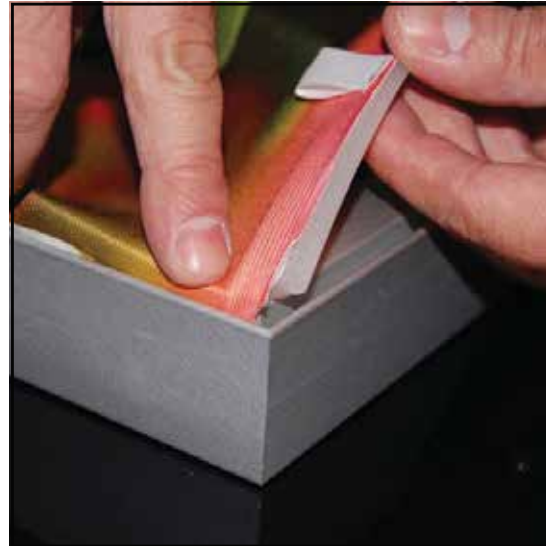
LADDERS OR LIFTS
MAY BE REQUIRED



ALL CONNECTIONS MUST
BE TIGHTLY SECURED



It is important to first insert graphic into each alternate corner then to the sides of the frame. If this is not done, graphic will not fit into the frame correctly.



Step 1
Insert corner A. Turn edge of graphic so silicon welt is perpendicular to face of graphic. Insert narrow side of welt with fabric to outside into the channel. Repeat for other side of this corner.

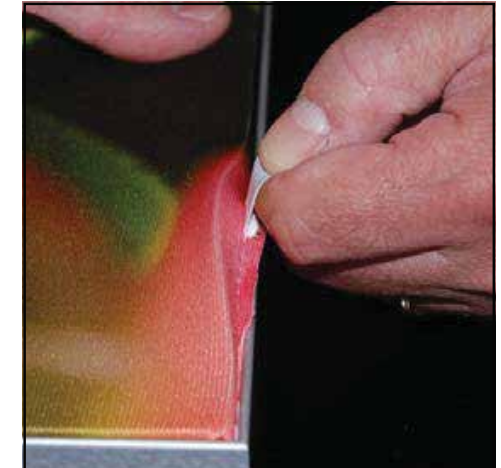


Step 2
Repeat Step 1 for opposite corner C, then insert corner D, to complete the installation of the corners.



Step 3
Once all corners are inserted, press one silicon edge into channel from corners and work toward the center. Make sure welt is fully inserted into channel. Continue until all sides are done. Smooth out edges of graphic.

Graphic Removal

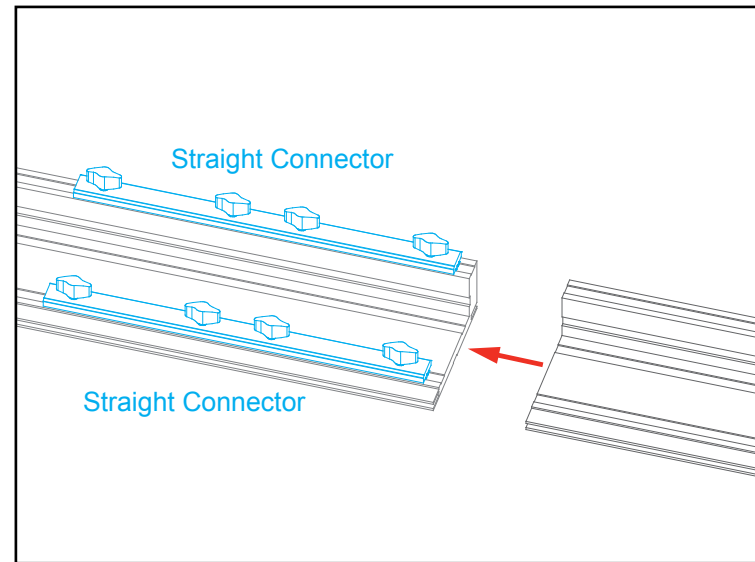


To remove the graphic from the frame, locate the fabric pull tab. Gently pull up on the tab to remove the fabric.

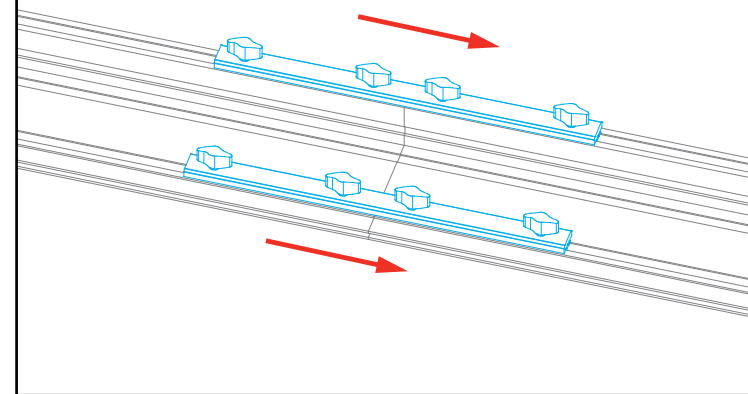
Straight Connection

When assembling frame, first attach all **straight connectors**, then attach **corner connectors**.

- 1) Place extrusions end-to-end.
- 2) Loosen all knobs, then slide **straight connectors** across the seam of extrusions.
- 3) Tighten all knobs to secure connection.



Slide both connectors across seam of extrusions. Tighten all knobs.



All knobs must be tightened securely to ensure a proper connection.

Disassembly

- 1) Loosen all knobs.
- 2) Slide connectors off of one extrusion.
- 3) Tighten knobs to prevent loss during packing & shipping.

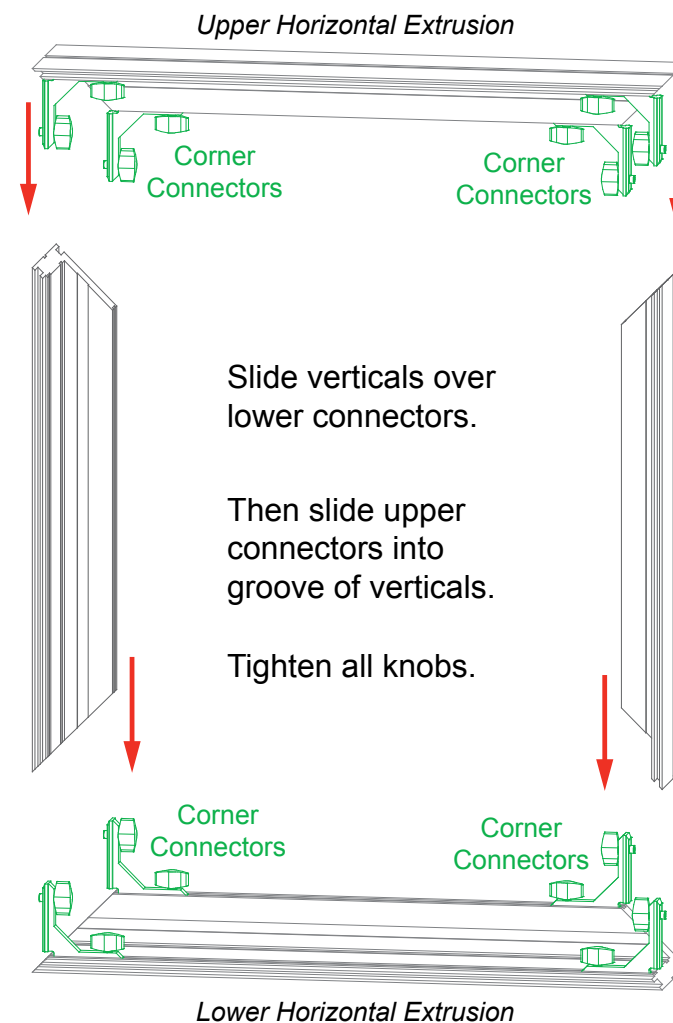
Keep straight connectors in groove of extrusion. Do not remove connectors during disassembly.

Corner Connection

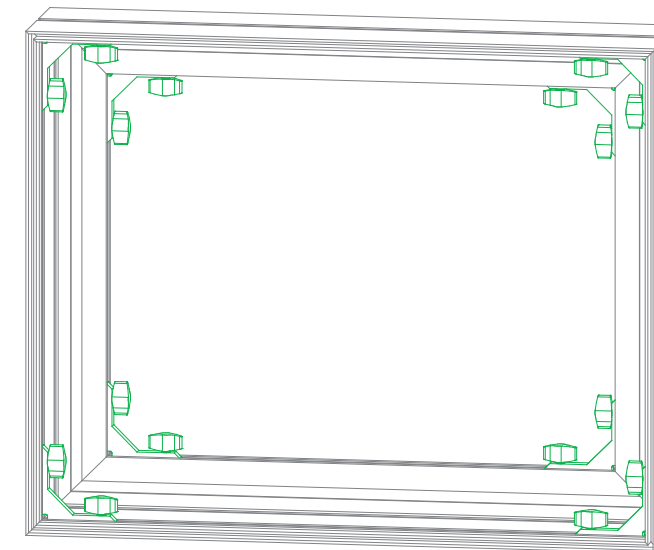
- 1) Loosen knobs, then slide vertical extrusions onto **corner connectors** of **lower** horizontal extrusion.
- 2) Slide **corner connectors** of **upper** horizontal extrusion into grooves of vertical extrusions.
- 3) Tighten all knobs to secure connection.

Disassembly

- 1) Loosen knobs on vertical extrusions.
- 2) Slide the vertical extrusions off of **corner connectors** on lower and upper horizontal extrusions.

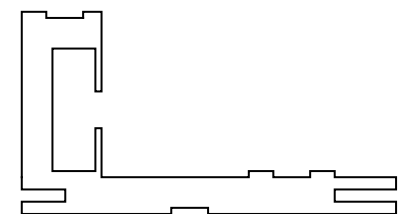


Adjust connectors if necessary to prevent gaps in connection.



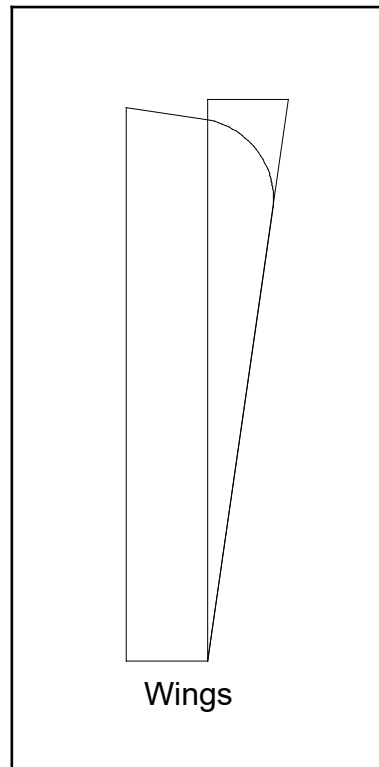
COMPLETED ASSEMBLY

All knobs must be tightened securely to ensure a proper connection.

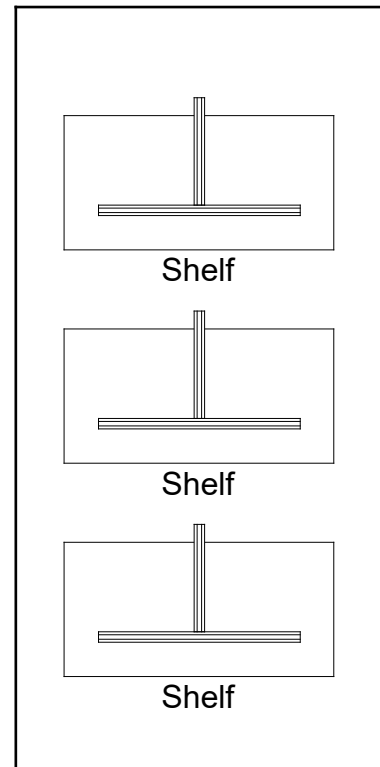


CEI110 Profile

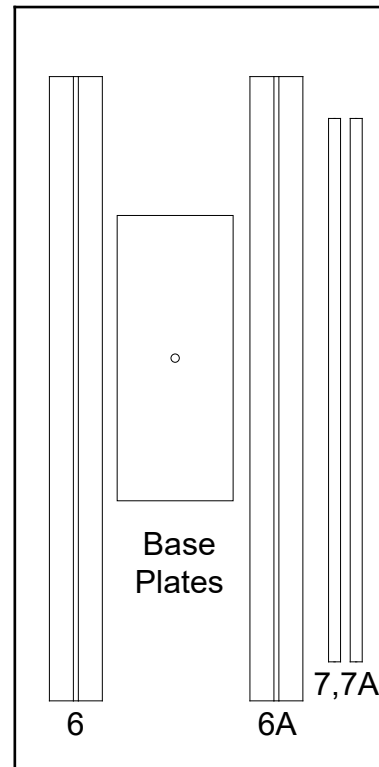
Top View of Each Level



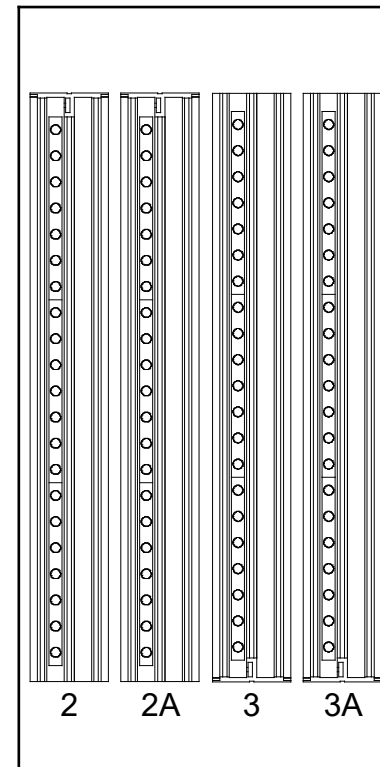
Level 1



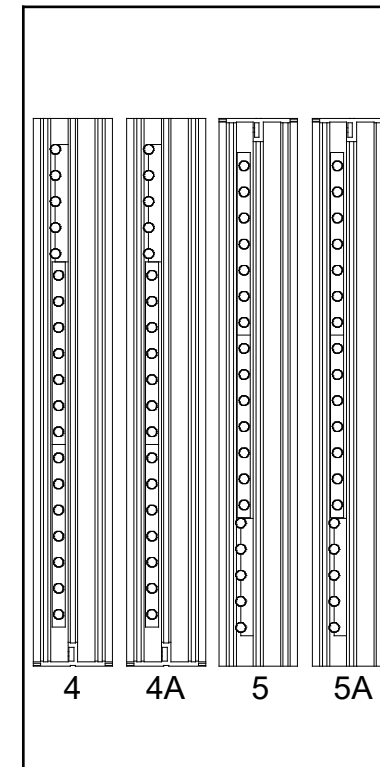
Level 2



Level 3



Level 4



Level 5

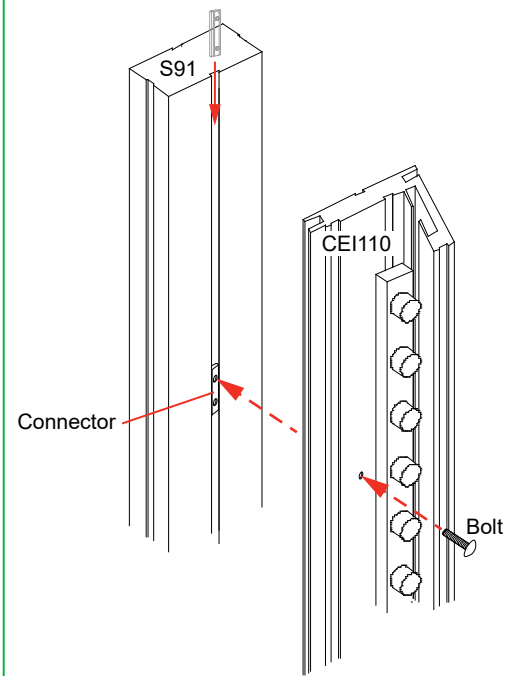
Setup Hardware
Monitor Mount

Steps:

- 1) Attach base plates [1] to horizontals [2] & [3] using bolts, washers, and wing nuts.
- 2) Assemble horizontals [2 to 3] [2A to 3A] and verticals [4 to 5] [4A to 5A] together.
See CEI-110 Frame Assembly sheet for instruction.
- 3) Attach verticals [7-7A] between horizontal assemblies.
- 4) Connect verticals [6] & [6A] together.
- 5) Attach vertical assembly [6/6A] to assembly [4A/5A], using bolts.
See [S91 to CEI110 Attachment](#) detail.
- 6) Connect lighting cords and attach transformers. See [Light to Light Connections & Light to Transformer](#) details.
- 7) Install SEG graphic to front of assembled frame and blocker fabric to back.
See SEG Graphic Installation sheet for details.

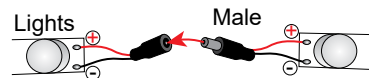
Item	Qty.	Description
1	2	Base Plate
2,2A	1,1	45" w CEI110 Horizontal Extrusion
3,3A	1,1	45" h CEI110 Horizontal Extrusion
4,4A	1,1	42" h CEI110 Vertical Extrusion
5,5A	1,1	42" h CEI110 Vertical Extrusion
6,6A	1,1	42" h S91 Vertical Extrusion
7,7A	1,1	40.187" h Z33 Vertical Extrusion

*** S91 to CEI110 Attachment**

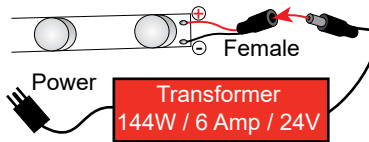


Slide connector into groove of S91 extrusion. Tighten set screws to secure connector. Attach CEI110 extrusion to S91, using bolt.

Light to Light Attachment



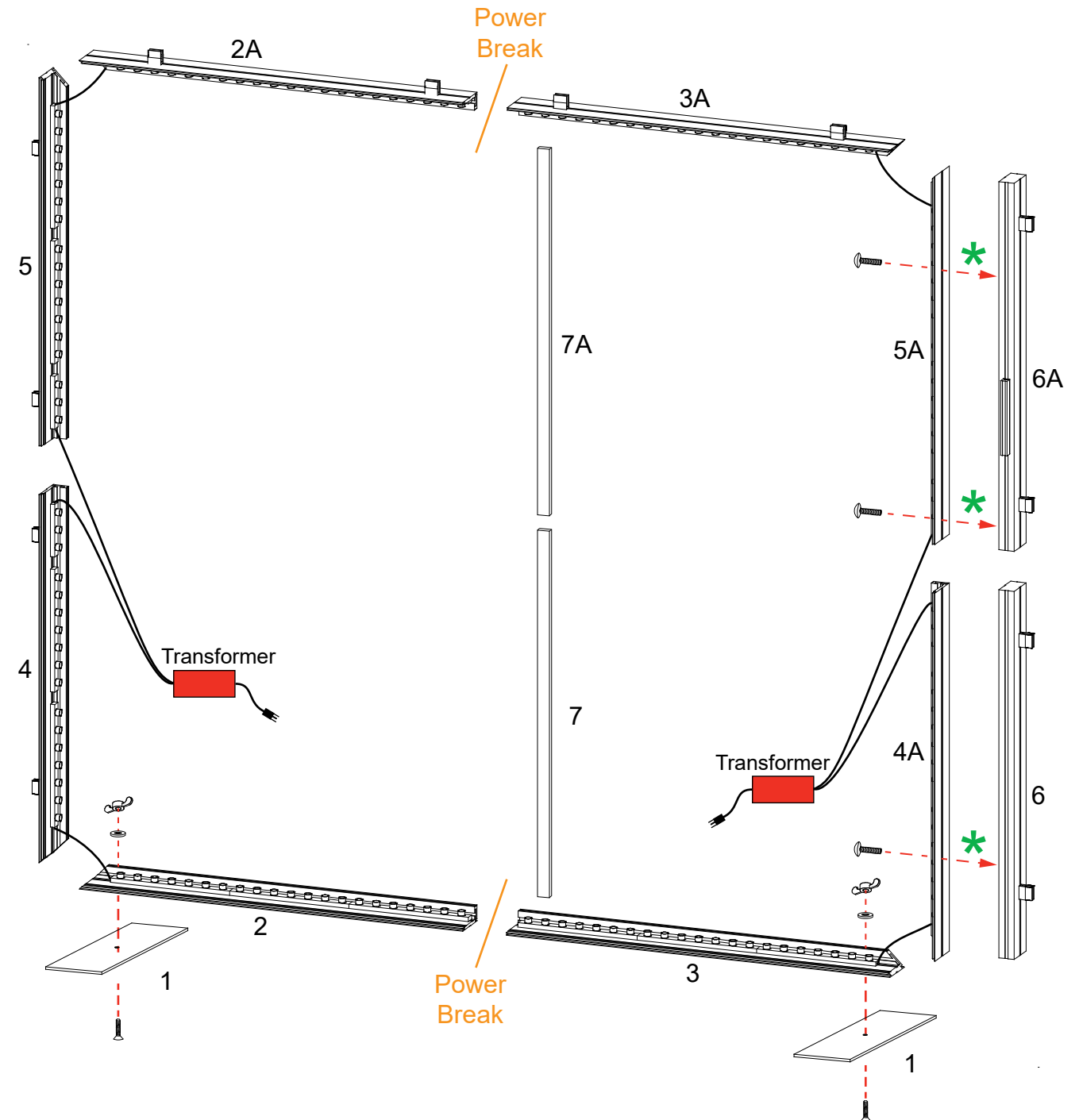
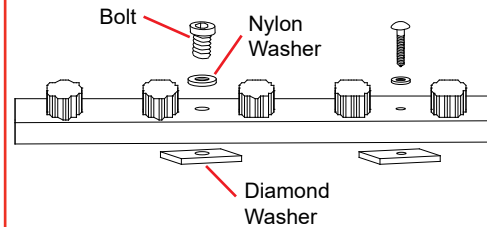
Light to Transformer Attachment



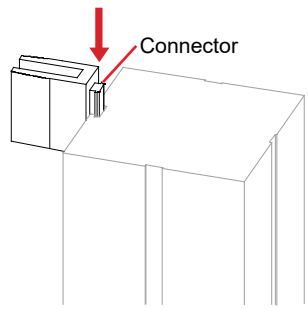
Maximum of 7 lights per chain,
12 lights per Transformer

Lighting Installation Warning

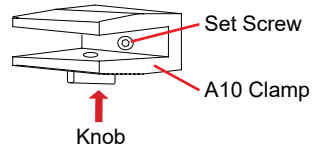
If utilizing your own hardware, purchase **nylon washers** to prevent metal screw heads from damaging the circuit board. Attach no more than **seven** lights per chain.



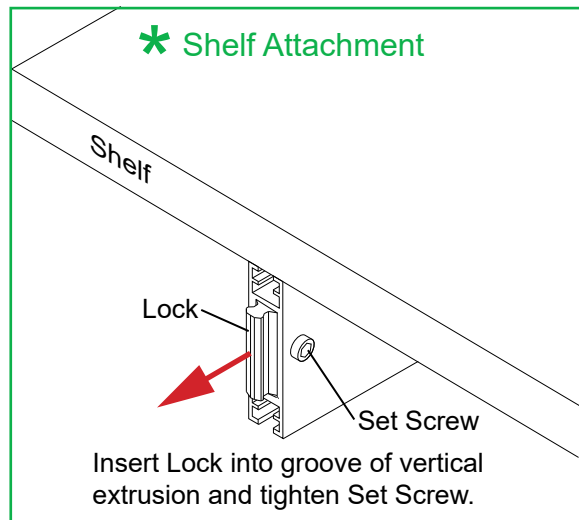
A10 Clamp



- 1) Slide connector of clamp into extrusion groove.
- 2) Tighten set screw when A10 is in desired location.
- 3) Insert wing into clamp.
- 4) Tighten knob on clamp to secure wing in place.

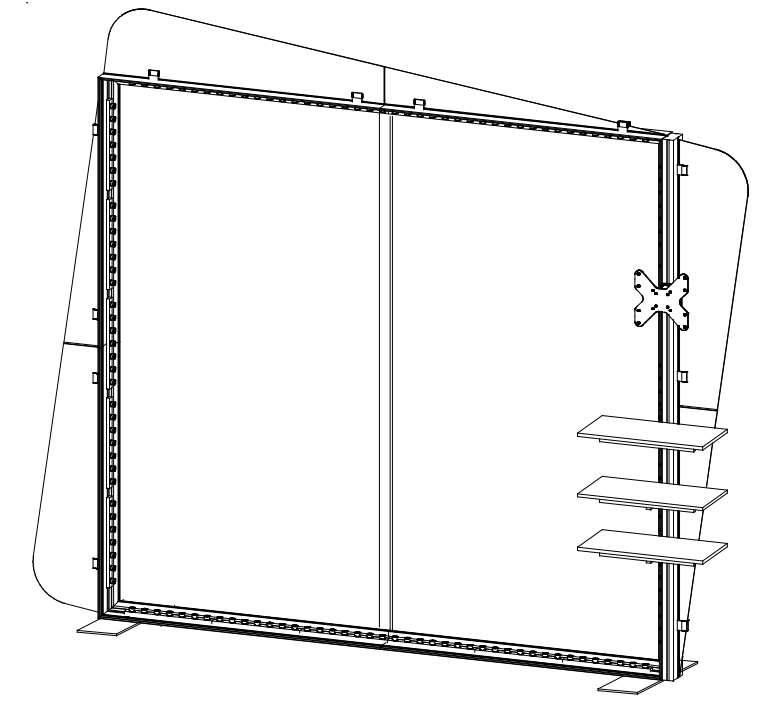
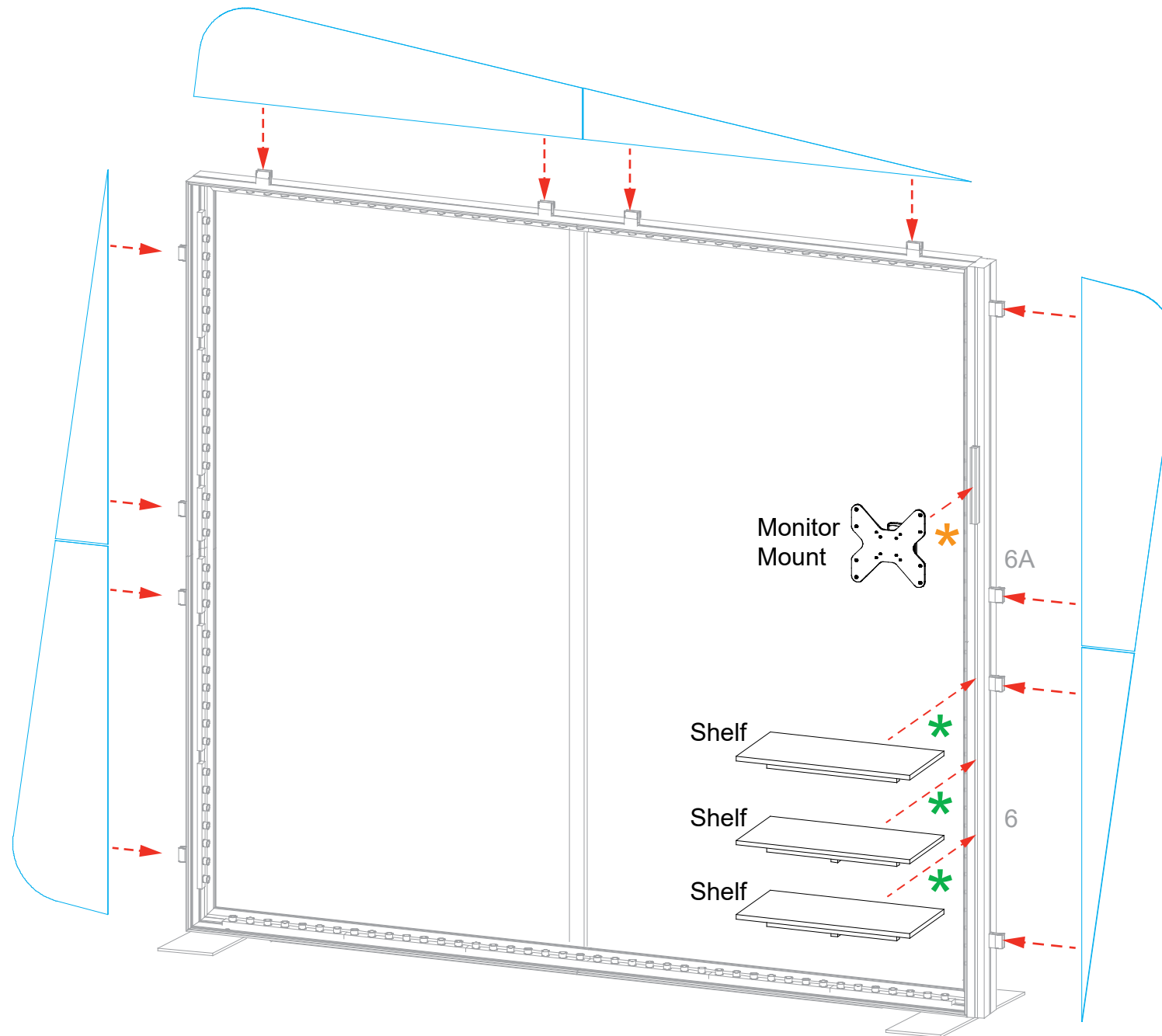


* Shelf Attachment



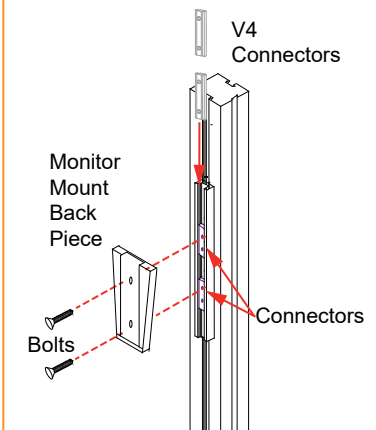
Steps:

- 1) Lock shelves to vertical [6]. See [Shelf Attachment](#) detail.
- 2) Attach monitor mount to vertical [6A]. See [Monitor Mount Attachment](#) detail.
- 3) Attach wings to top and sides, using A10 clamps. See [A10 Clamp](#) detail.



Completed Assembly

* Monitor Mount Attachment



Slide V4 Connectors into groove of Extrusion. Tighten Set Screws to secure connectors in place.

Attach Monitor Mount back piece to Extrusion, using bolts.

Then slide monitor mount into back piece.

