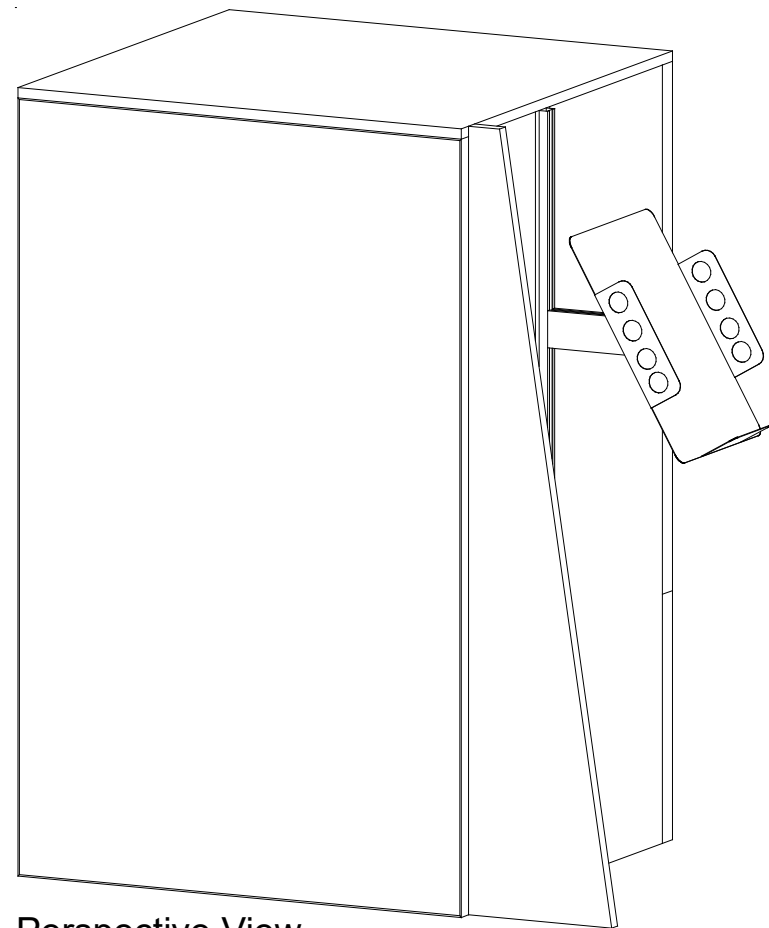
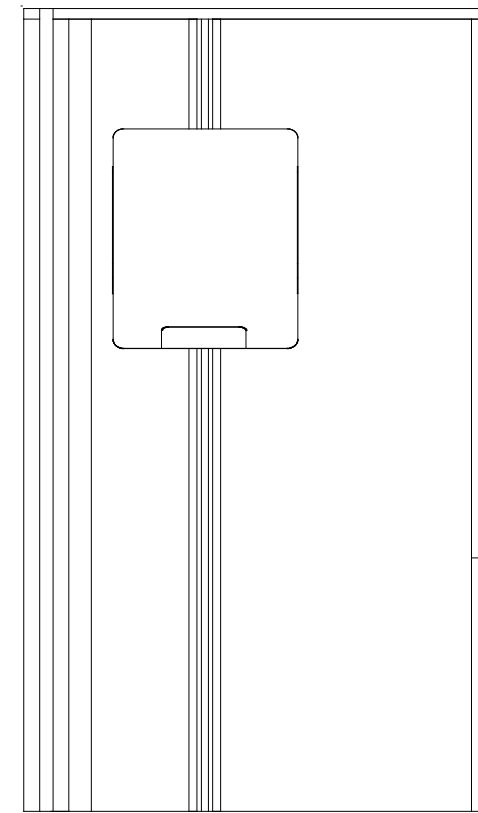


Top View



Perspective View



Side View

SETUP INSTRUCTIONS

General Setup Instructions

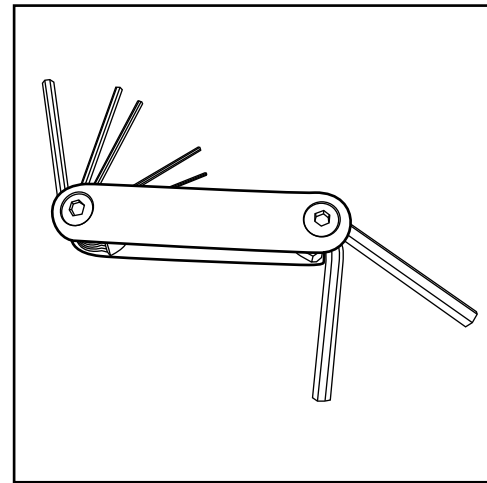
- Read entire setup instruction manual prior to unpacking parts and pieces.
- The setup instructions are created specifically for this configuration.
- Setup instructions are laid out sequentially in steps, including exploded views with detailed explanation for assembly.

Cleaning & Packing

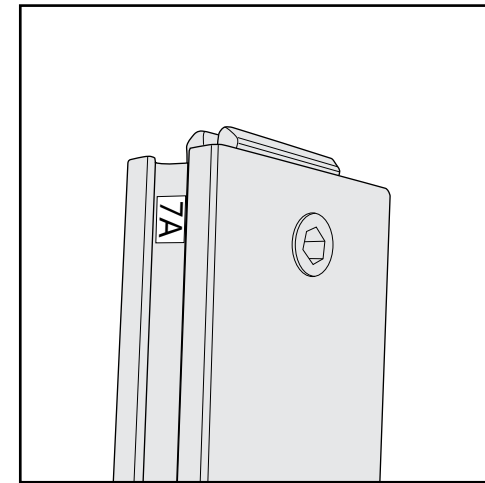
- For Cleaning Metal, Plex, & Laminate Parts: Use a **MILD NON-ABRASIVE** cleanser and soft cloth/paper towel to clean all surfaces.
- Keep exhibit components away from heat and prolonged sun exposure.
Heat and UV exposure will warp and fade components.
- Retain all provided Packing Materials. All provided packing materials are for ease of repacking & component protection.

Disassembly

- For loss prevention, tighten all set screws and locks during disassembly.



Hex Tool - Essential for Assembly



Part Identification - Numbering



Spline Connection



Base Plate & Extrusion Connection



Extrusion & Lock Connection



Engaged Lock



WARNING



DO NOT USE POWER TOOLS



LADDERS OR LIFTS
MAY BE REQUIRED



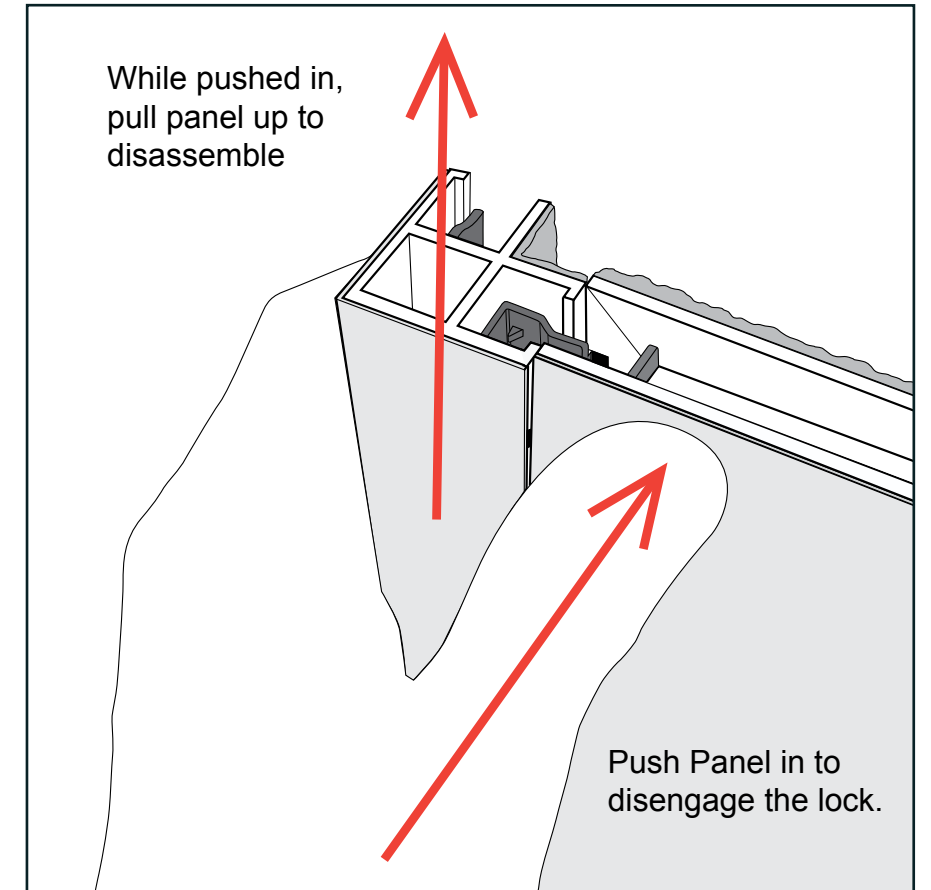
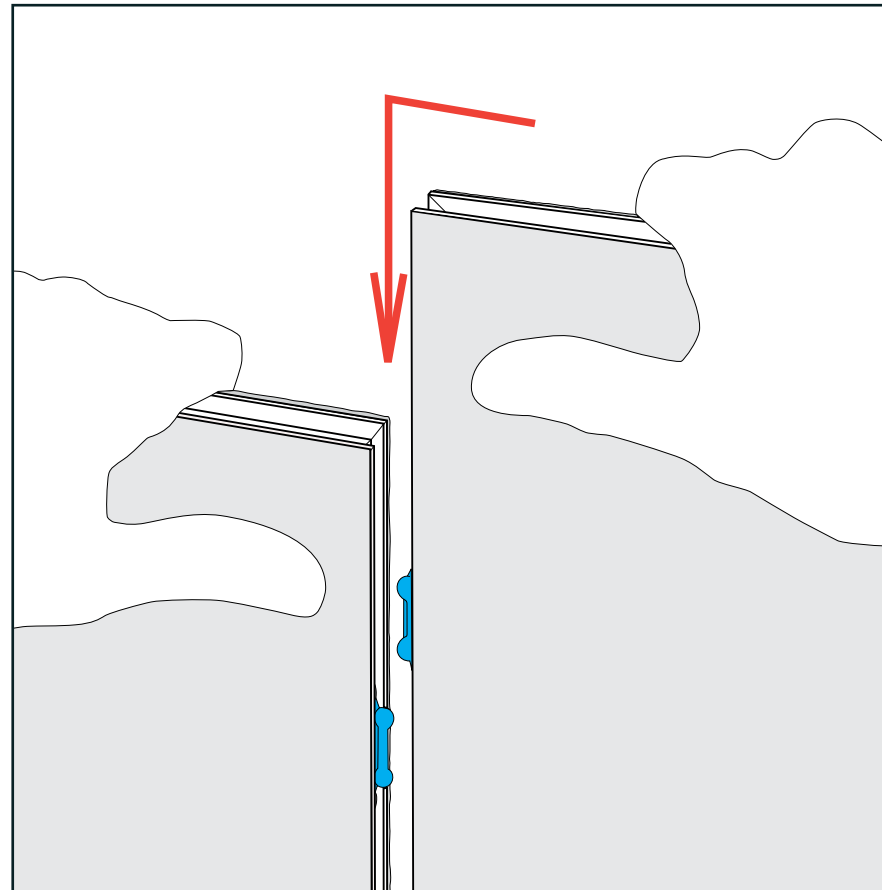
ALL CONNECTIONS MUST
BE TIGHTLY SECURED

LT Panel Assembly

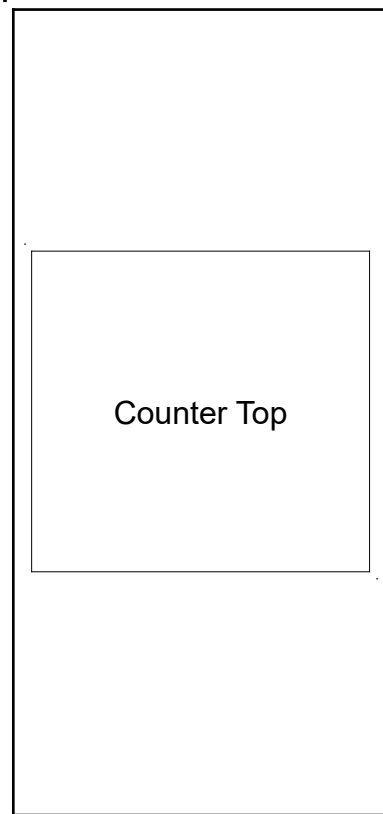
- 1) With a vertical offset, place LT-Panels side-by-side; slide vertically offset panel down to lock panels together and in place.
- 2) Corner Connectors (90°, T-Connector, Straight Connector) connect just as panels connect together. Repeat Step 1 for installing corner connectors to panels.

LT Panel Disassembly

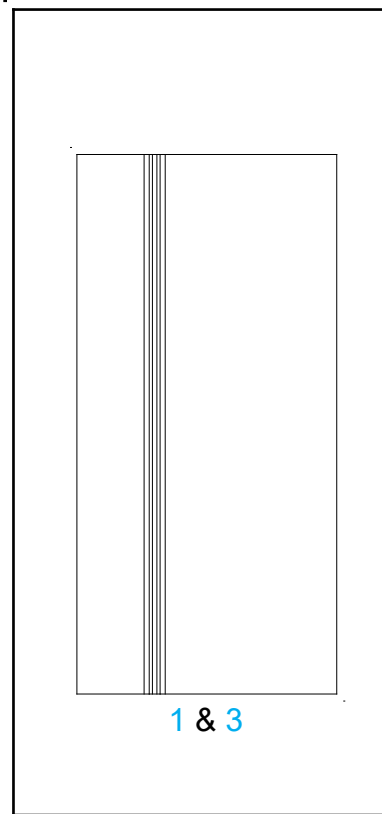
- 1) To disassemble push panel with upper locks horizontally to disengage top lock clip.
- 2) Slide panels or connectors vertically in opposing directions to release latches and disconnect parts.



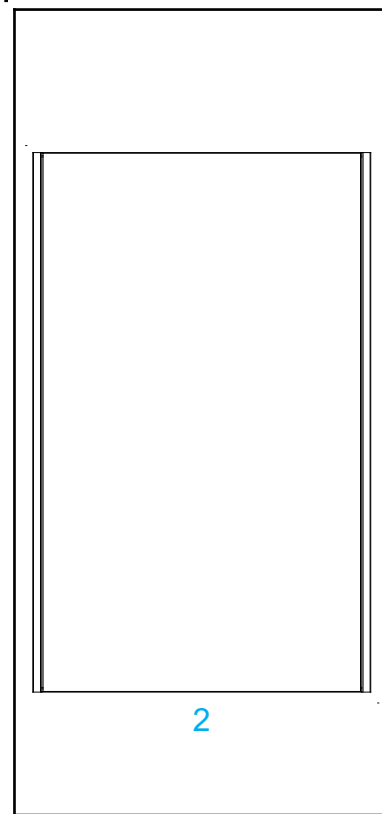
Top View of Each Level



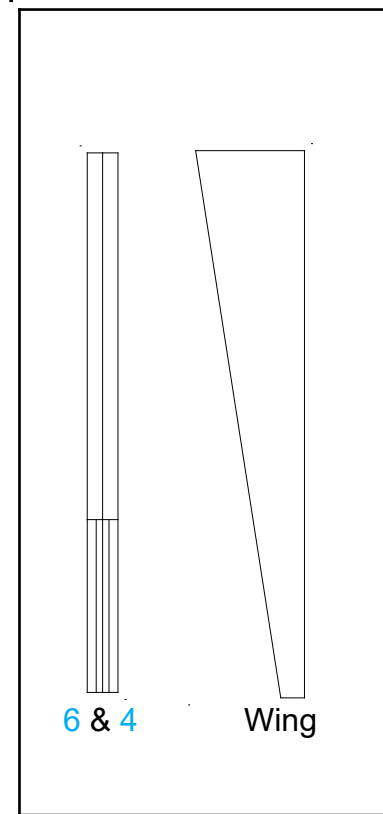
Level 1 (Bottom Level)



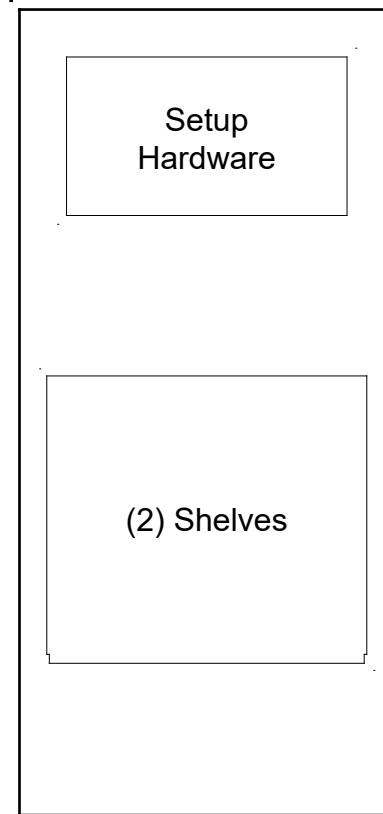
Level 2



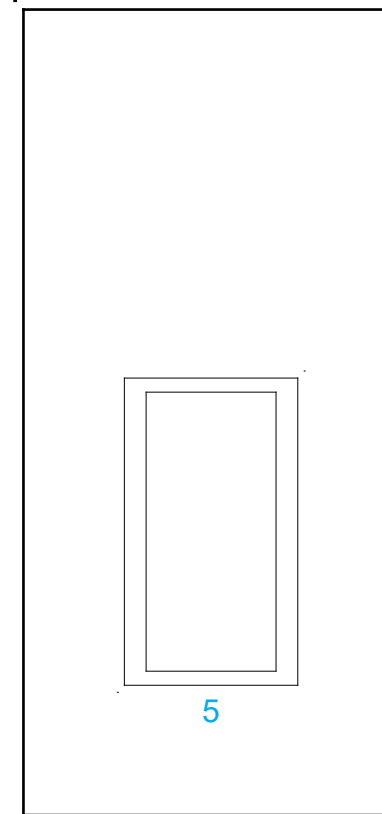
Level 3



Level 4



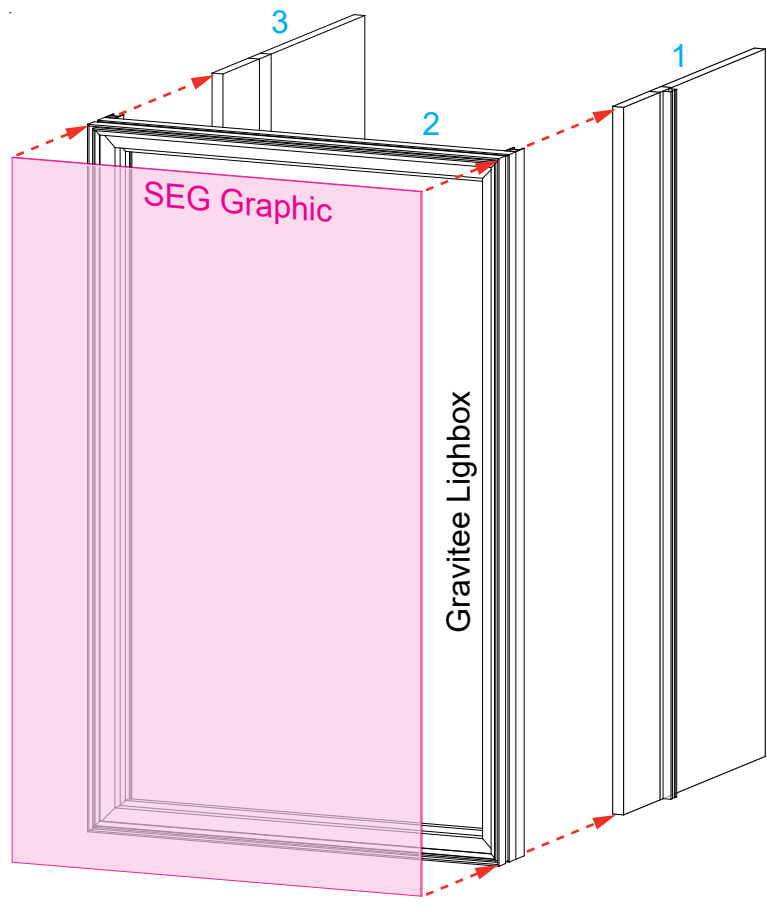
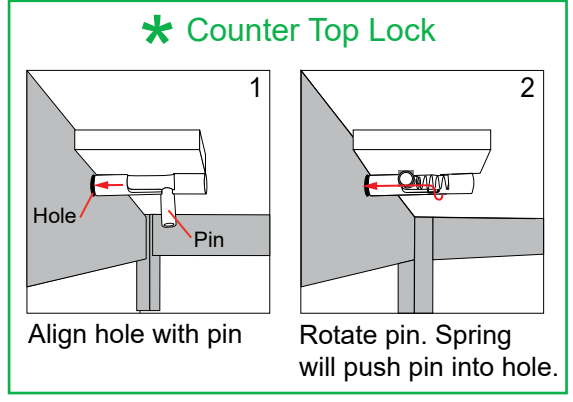
Level 5



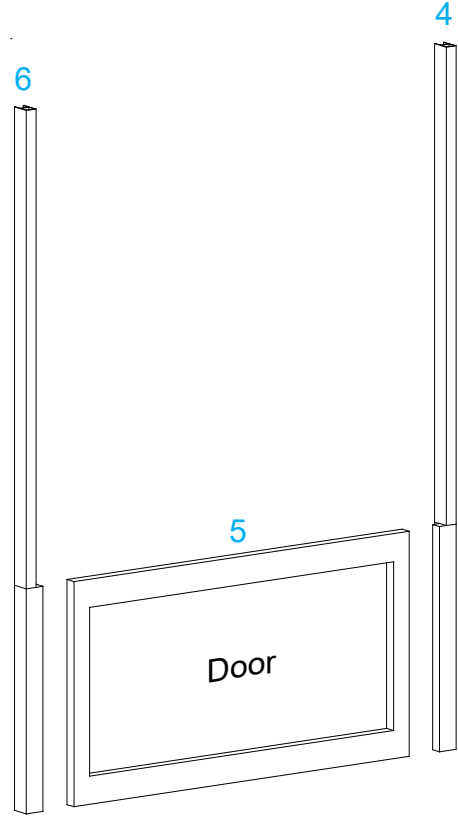
Level 6

Item	Qty.	Description
1	1	18" x 37.5" LT Panel w/ 37.5" S10
2	1	Gravitee Lightbox w/ 37.5" End Caps
3	1	18" x 37.5" LT Panel
4	1	12" 90° LT Connector w/ 25.5" End Cap
5	1	21.375" x 12" Door
6	1	12" 90° LT Connector w/ 25.5" End Cap
--	1	Literature Holder
--	2	Shelf
--	6	Pin
--	1	Counter Top
--	1	Wing

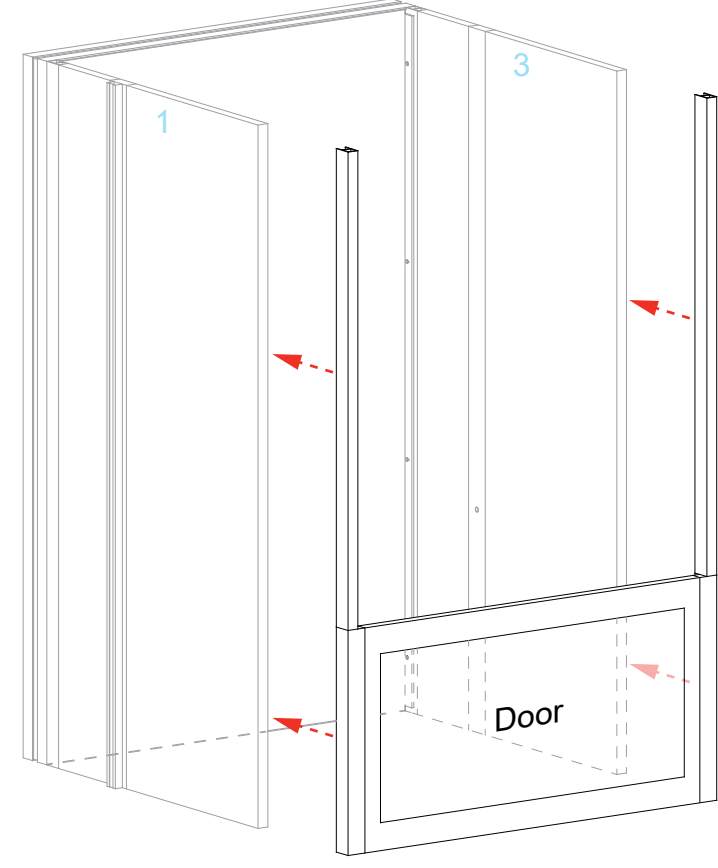
- Steps:
- See other page LT Panel Assembly instruction for steps 1, 2, and 3.
- 1) Connect Gravitee lightbox [2] to panels [1] and [3].
See reverse side for LT Panel Assembly instruction.
 - 2) Install SEG graphic to Gravitee Lightbox. See Gravitee & SEG Assembly Instruction sheet.
 - 3) Attach connectors [4] and [6] to door.
 - 4) Attach door assembly to panels [1] and [3].
 - 5) Place pins into panels [1] and [3] then set shelves onto pins.
 - 6) Attach literature holder to panel [1].
 - 7) Lock counter top to panels [1] and [3]. See Counter Top Lock detail.
 - 8) Attach wing to Gravitee lightbox.



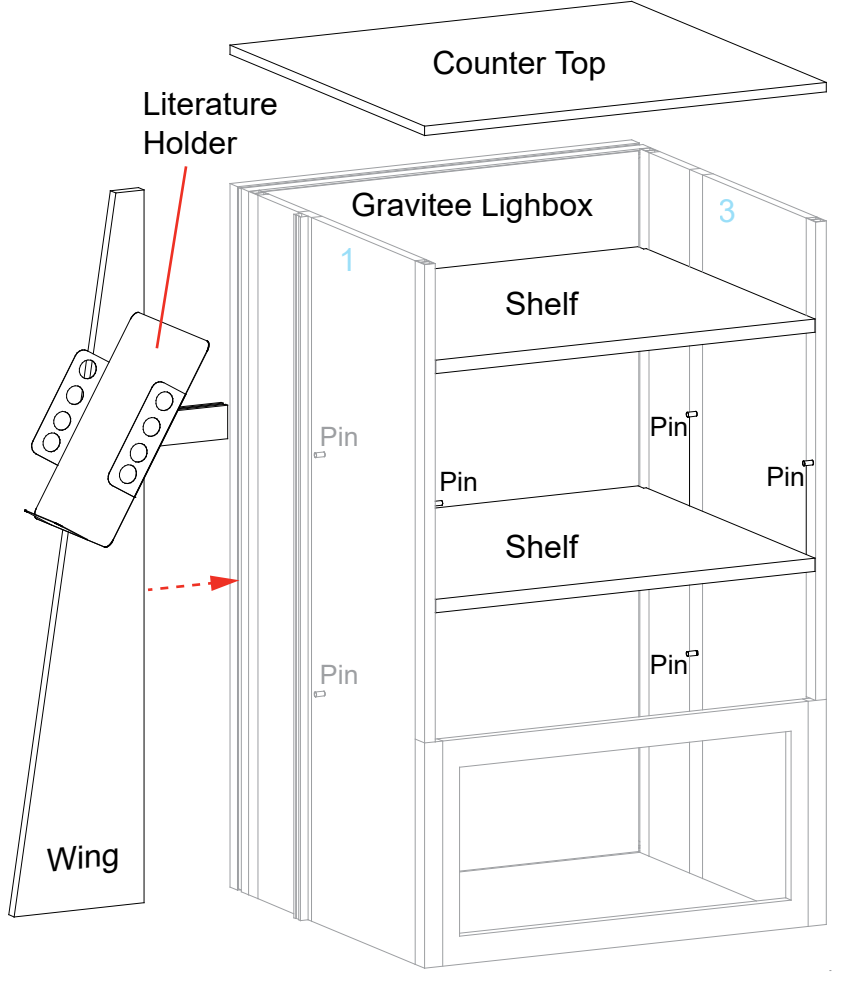
FRONT VIEW



BACK VIEW



BACK VIEW



BACK VIEW